

Recirculation Pumps RCP

ABS submersible propeller pumps for pumping activated sludge in treatment plants

- compact design, using the proven ABS submersible motor
- self-cleaning propeller suitable for lightly polluted sewage and activated sludge
- very good hydraulic efficiency when pumping large volumes of liquid at low heads
- high operating reliability and suitable for continuous operation
- easy to handle due to the ABS automatic coupling system



2.7470 GB 04.00

Recirculation Pumps RCP

Applications

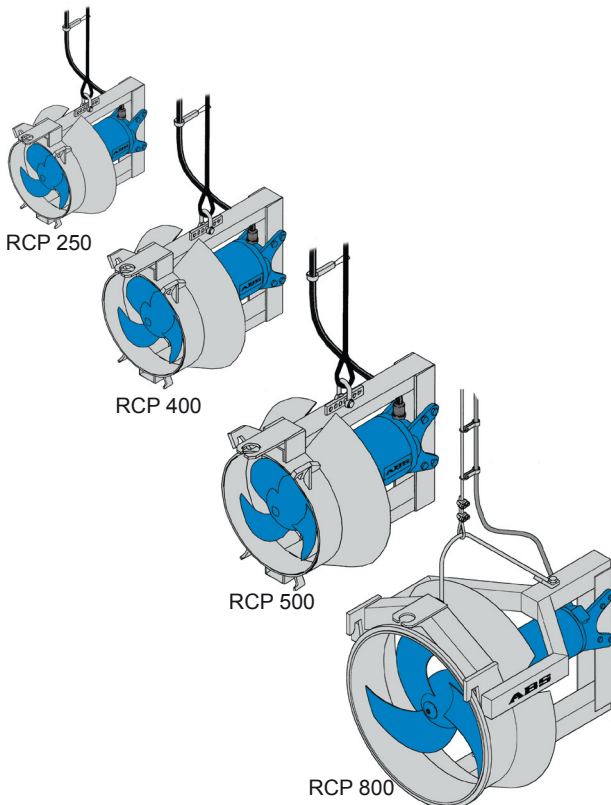
The RCP recirculation pumps have been designed for pumping activated sludge in treatment plants during the nitrification and denitrification process.

As ABS all submersible pumps and submersible mixers they have been designed for economical and reliable operating:

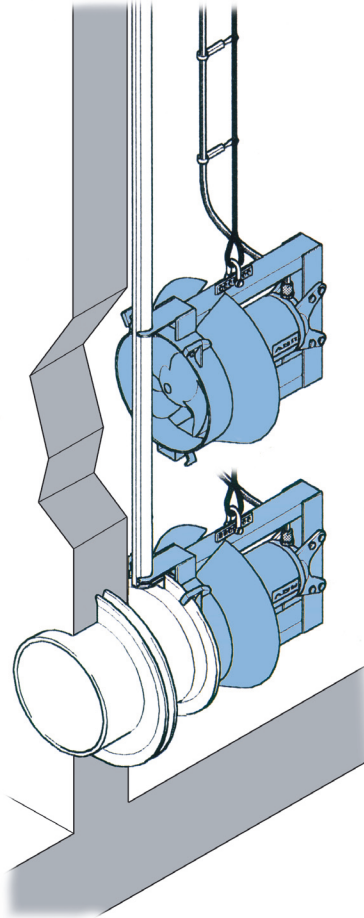
- Water pressure tight-encapsulated unit construction
- Shaft sealing by high quality silicon carbide mechanical seal, resistant to temperature shock
- Electronic seal monitoring for motor and gearbox with indication that an inspection is due
- Thermal motor protection by thermal sensors in the stator (Insulation Class F = 155°C)

The recirculation pumps are supplied as standard with a special three-blade propeller designed for high efficiency.

The ABS recirculation pumps RCP are supplied with the well-proven automatic coupling system using a single guide rail. The ABS automatic coupling system guarantees quick and economical installation.



The well-proven automatic coupling system



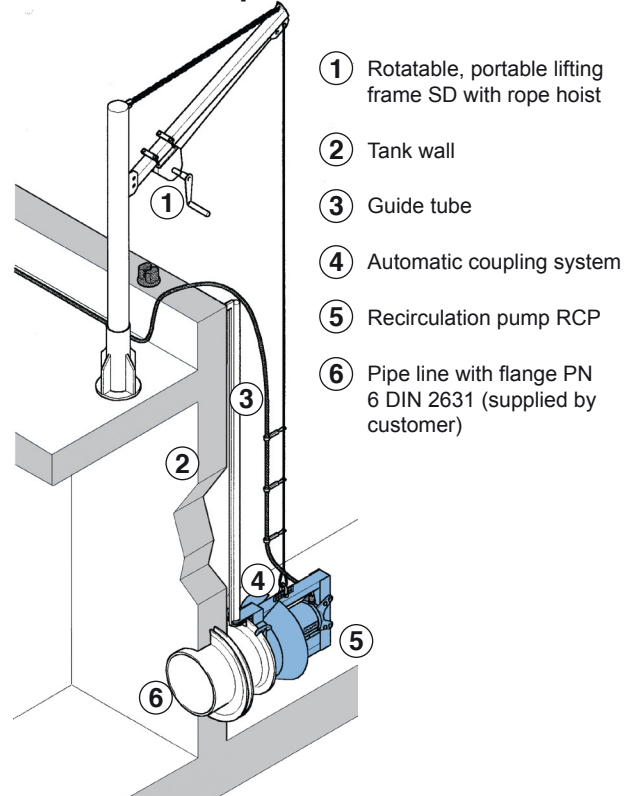
The DIN-flange of the discharge line (supplied by the customer) forms the connection flange of the ABS automatic coupling unit. A guide rail joins the connection flange with the pipe retainer at the top of the tank.

The ABS recirculation pump is connected on to the guide rail and can be lowered easily.

It reaches its correct operating position automatically and is immediately ready for use.

The ABS automatic coupling system is of a particular advantage when checking or inspection work is being carried out.

Installation Example

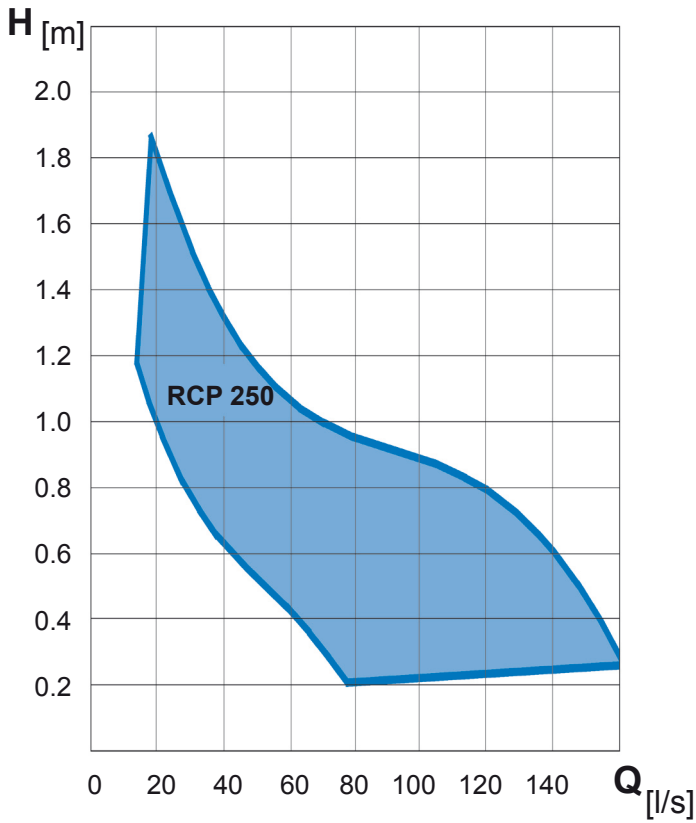


- ① Rotatable, portable lifting frame SD with rope hoist
- ② Tank wall
- ③ Guide tube
- ④ Automatic coupling system
- ⑤ Recirculation pump RCP
- ⑥ Pipe line with flange PN 6 DIN 2631 (supplied by customer)

Recirculation Pumps RCP

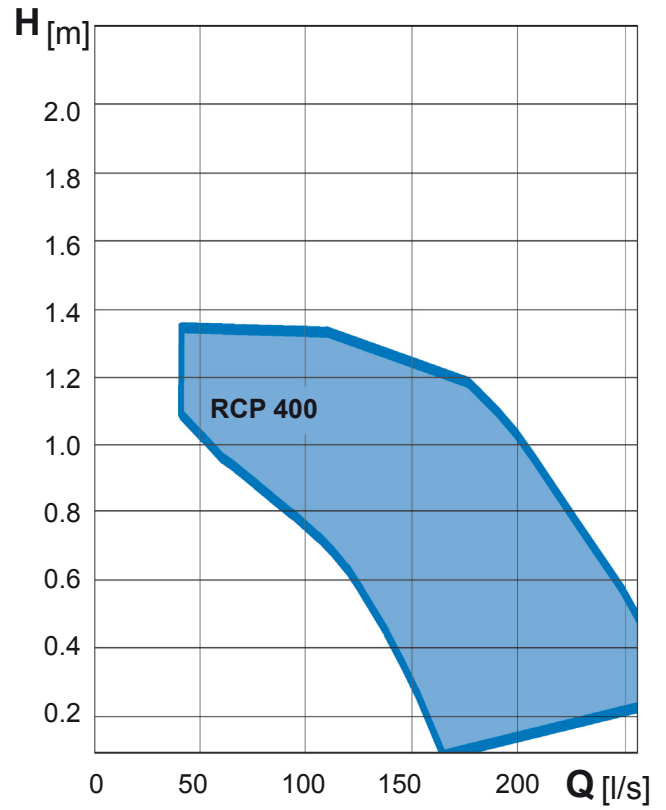
Performance range 50 Hz

RCP 250



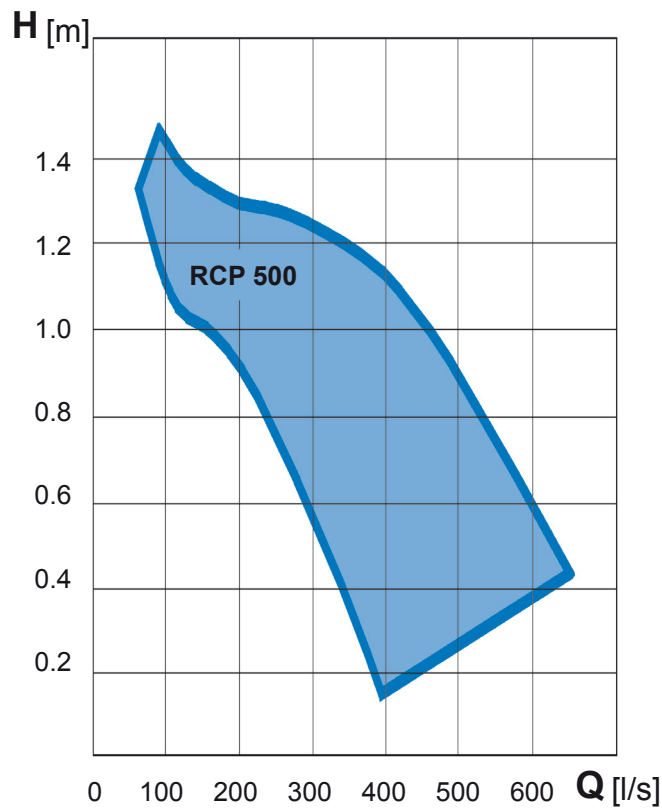
Performance range 50 Hz

RCP 400



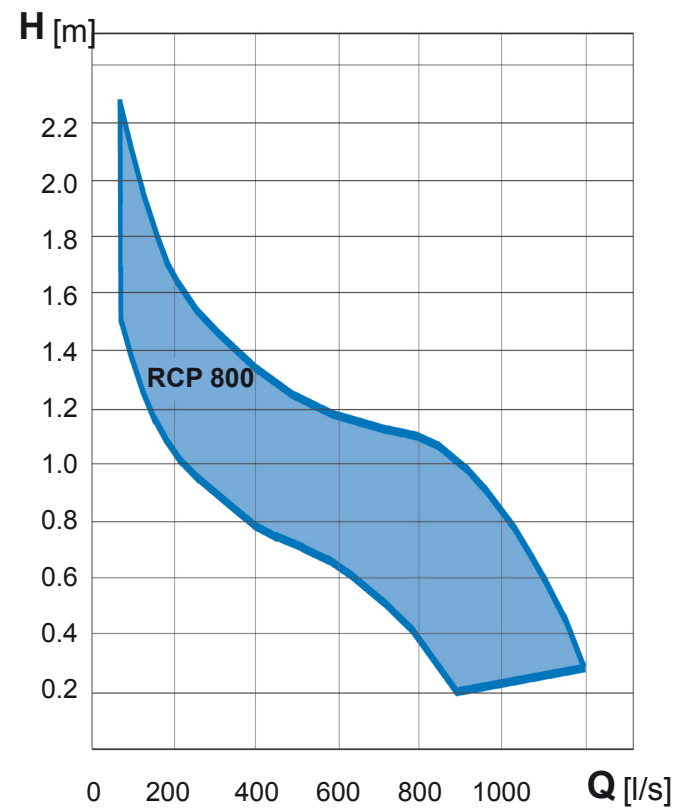
Performance range 50 Hz

RCP 500



Performance range 50 Hz

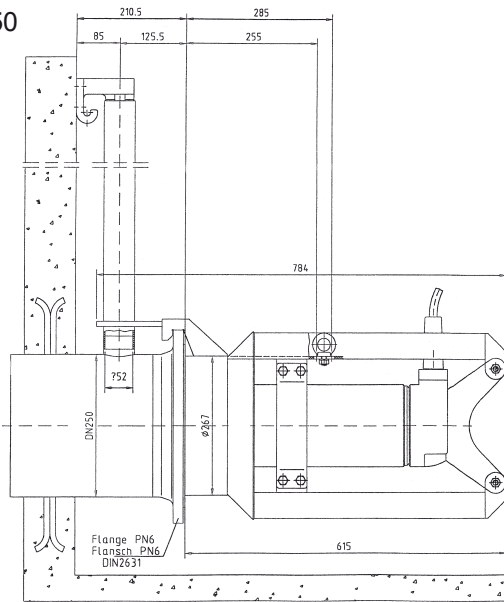
RCP 800



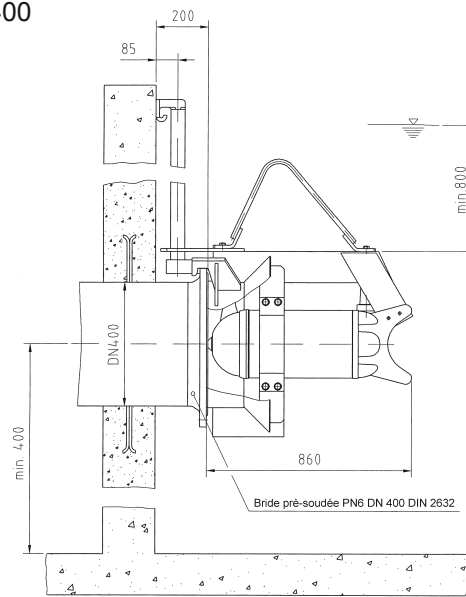
Recirculation Pumps RCP

Dimensions

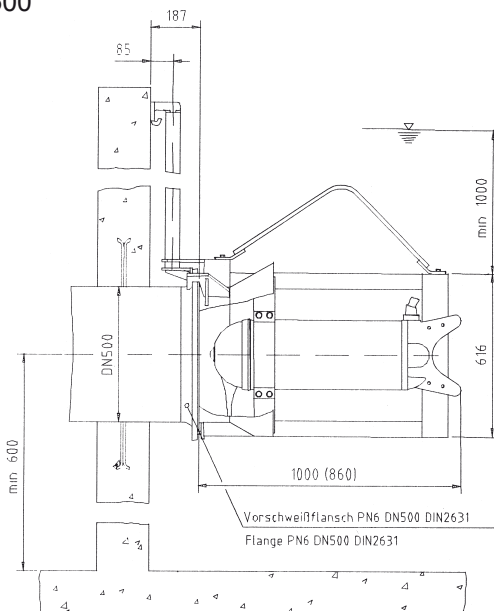
RCP 250



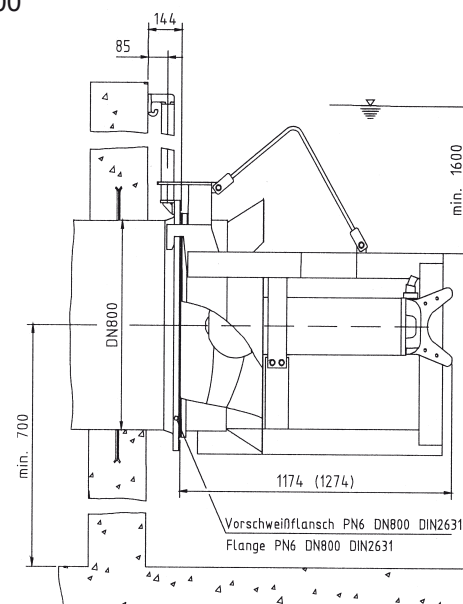
RCP 400



RCP 500



RCP 800



ABS
COST-EFFECTIVE PUMPING

ABS reserves the right to alter specifications due to technical developments.

Austria
Tel. +43 2236 642 61
Fax +43 2236 642 66

Belgium
Tel. +32 2 725 79 00
Fax +32 2 725 71 19

Brazil
Tel. +55 41 227 8100
Fax +55 41 348 1879

Canada
Tel. +1 905 670 4677
Fax +1 905 670 3709

China:
Tel. +86 21 5234 0472
Fax +86 21 5234 1179

Denmark
Tel. +45 48 17 11 10
Fax +45 48 17 11 11

Estonia
Tel. +372 656 3398
Fax +372 656 3385

Finland
Tel. +358 9 506 88 90
Fax +358 9 55 80 53

France
Tel. +33 1 49 35 24 50
Fax +33 1 48 54 42 82

Germany
Tel. +49 2246 13 0
Fax +49 2246 13 200

Great Britain
Tel. +44 1293 744 800
Fax +44 1293 543 392

Greece
Tel. +30 210 95 325 01/02/03
Fax +30 210 95 325 04

Hungary
Tel. +36 1 231 6070
Fax +36 1 231 6080

Ireland
Tel. +353 1 460 8888
Fax +353 1 460 8889

Italy
Tel. +39 051 89 00 911
Fax +39 051 86 18 48

Malaysia
Tel. +603 5124 6550
Fax +603 5124 6548

Netherlands
Tel. +31 30 242 56 78
Fax +31 30 241 03 46

Norway
Tel. +47 67 554 700
Fax +47 67 554 750

Poland
Tel. +48 22 633 82 87
Fax +48 22 633 86 44

Portugal:
Tel. +351 21 495 01 57
Fax +351 21 495 53 64

Singapore
Tel. +65 6 4633 933
Fax +65 6 4622 122

South Africa
Tel. +27 11 397 1612
Fax +27 11 397 1795

Spain
Tel. +34 91 670 28 51
Fax +34 91 666 58 68

Sweden
Tel. +46 31 706 16 00
Fax +46 31 27 29 20

Switzerland
Tel. +41 71 694 6555
Fax +41 71 694 6556

Turkey
Tel. +90 216 455 2256
Fax +90 216 455 2265

USA
Tel. +1 203 238 2700
Fax +1 203 238 0738

All other countries
ABS Pumps International
Head Office, Sweden
Tel. +46 31 83 63 00
Fax +46 31 16 79 14

Agents and distributors
ABS has sales and service
representation in more than
100 countries the world over.

www.abspumps.com

ABS is a company in the
Cardo Group