

# PK 1500 Weighting Arms

TeraSpin weighting arms are characterised by their robust design and corrosion resistant finish. Not only are these weighting arms built to last the lifetime of the roving frame, but each weighting arm exerts the same load on top rollers irrespective of how long they are in use or at what position in the machine they are fastened. Loading springs used on TeraSpin weighting arms are pre-calibrated for specified loads for an unlimited period of time.

## Benefits

- Consistent quality of yarn
- No height gauge setting required after cot buffing within the range
- Free from vagaries of pneumatic pressure loss or pressure variations
- Suitable for a wide variety of fibres and yarn counts
- Virtually maintenance-free
- Long service life



## PK series of weighting arms for roving frames

### PK 1500-0962604

#### Application:

Cotton, manmade fibres and blends upto 60 mm

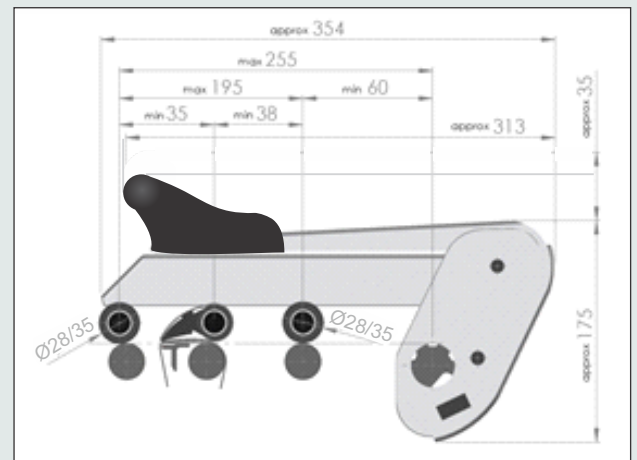
#### Combination of cradle and top rollers

Cradle	Fibre length (mm)	Top roller cot ø (mm)	Recommended top apron size (mm)
OH 514-1275261	Upto 44 <sup>#</sup>	28/25*/28	37 X 40 X 0.9
OH 534-1275268	45 – 54	35/33*/35	48 X 40 X 0.9
OH 534-000110	45 – 54	35/33*/35	48 X 40 X 0.9
OH 524-000110	55 – 60	35/33*/35	57.2 X 40 X 0.9

\* It is recommended to keep the cot dia on lower side (upto 0.3 mm less) to allow free rotation of aprons

<sup>#</sup> For cotton and cotton-manmade fibre blends

Medium cradle (polymer) OH 534-0001275268 and medium cradle (metal) OH 534-000110, already in use at various mills, are interchangeable.



Note: All dimensions are in mm

## PK 1500-0962602

### Application:

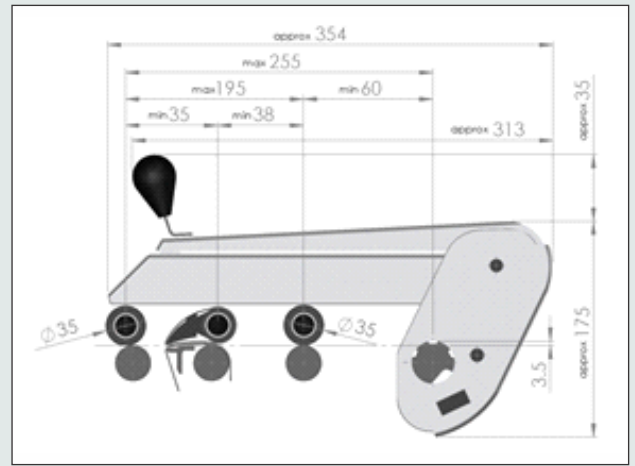
Cotton, manmade fibres and blends upto 60 mm

### Combination of cradle and top rollers

Cradle	Fibre length (mm)	Top roller cot $\phi$ (mm)	Recommended top apron size (mm)
OH 514-1275261	Upto 44 <sup>#</sup>	35/25*/35	37 X 40 X 0.9
OH 534-1275268	45 – 54	35/25*/35	43.5 X 40 X 0.9
OH 534-000110	45 – 54	35/25*/35	43.5 X 40 X 0.9
OH 524-000110	55 – 60	35/25*/35	52.7 X 40 X 0.9

\* It is recommended to keep the cot dia on lower side (upto 0.3 mm less) to allow free rotation of aprons  
<sup>#</sup> For cotton and cotton-manmade fibre blends

Medium cradle (polymer) OH 534-0001275268 and medium cradle (metal) OH 534-000110, already in use at various mills, are interchangeable.



Note: All dimensions are in mm

## PK 1500-0001938

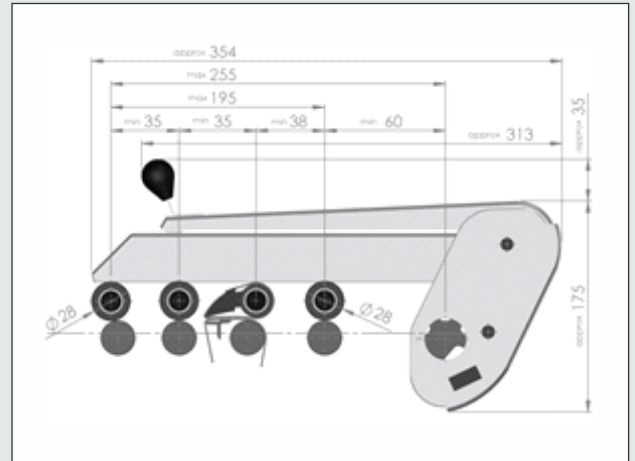
### Application:

Cotton, manmade fibres and blends upto 44 mm

### Combination of cradle and top rollers

Cradle	Fibre length (mm)	Top roller cot $\phi$ (mm)	Recommended top apron size (mm)
OH 514-1275261	Upto 44 <sup>#</sup>	28/28/25*/28	37 X 40 X 0.9

\* It is recommended to keep the cot dia on lower side (upto 0.3 mm less) to allow free rotation of aprons  
<sup>#</sup> For cotton and cotton-manmade fibre blends



Note: All dimensions are in mm

## PK 1500-0001940

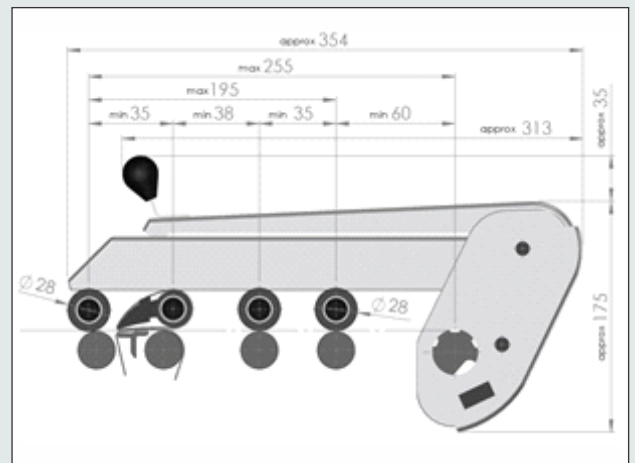
### Application:

Cotton, manmade fibres and blends upto 44 mm

### Combination of cradle and top rollers

Cradle	Fibre length (mm)	Top roller cot $\phi$ (mm)	Recommended top apron size (mm)
OH 514-1275261	Upto 44 <sup>#</sup>	28/25*/28/28	37 X 40 X 0.9

\* It is recommended to keep the cot dia on lower side (upto 0.3 mm less) to allow free rotation of aprons  
<sup>#</sup> For cotton and cotton-manmade fibre blends



Note: All dimensions are in mm

\* The technical information provided above is indicative for specific solutions, please contact your TeraSpin representative or write to sales@teraspin.com.

**A.T.E. ENTERPRISES PRIVATE LIMITED**

(Business Unit: TeraSpin)

E: sales@teraspin.com

W: www.atgroup.com/teraspin



CN\_US1503MW2001PTC102921  
V3 November 2016