

---

# PRODUCT GUIDE

## *Chapter 1*

### *TeraSpin spindle bearing units and complete spindles*



1st edition 2015

Research and Development is a continuous process. Hence, some of the information provided in this PRODUCT GUIDE may have become obsolete with TeraSpin's new developments in technology.

TeraSpin is a business unit of A.T.E. Enterprises Private Limited, a company engaged in the service of the textile industry since 1939. TeraSpin came into existence in 2012 after A.T.E.'s takeover of SKF India's textile spinning component business. Since then it has been innovating and making continual improvements in quality and reliability in the service of spinning mills and machinery manufacturers around the world.

TeraSpin's product range consists of weighting arms, top rollers & cradles for roving frame and ring frame, spindle bearing units and complete spindles for ring frames and doubling frames. TeraSpin also offers customized upgrades for existing ring spinning and roving frames.

Website: [www.teraspin.com](http://www.teraspin.com)  
Email: [sales@teraspin.com](mailto:sales@teraspin.com)

Published by

**A.T.E. ENTERPRISES PRIVATE LIMITED**

Chapter 1  
TeraSpin spindle bearing units and complete spindles



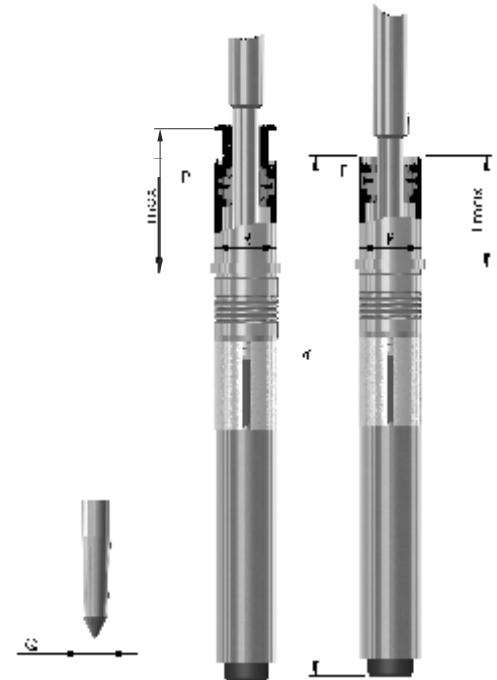
**HF series of spindle bearing units without bolsters**

## Technical parameters

Type – Ref. No.	Dimensions (mm)					Weight (kg)	Locking
	A	R	P	Q	I max.		
HF 100-0025144M	121	16	6.8	4.5	26.5	0.097	External
HF 100	121	16	6.8	4.5	32.5	0.099	Self-locking
HF 1-0025144	141.5	16	6.8	4.5	26.5	0.107	External
HF 1-1252520	141.5	16	6.8	4.5	32.5	0.109	Self-locking
HF 21-0013802	141.5	17.5	7.8	4.5	20.5	0.112	External
HF 21-1251595	141.5	17.5	7.8	4.5	26.5	0.114	Self-locking

**Application/s**

- Machine/s : Ring frame, doubling frame
- Process/es : Spinning, doubling
- Raw material/s : Cotton, worsted, man-made fibers and their blends
- Load/s : Light



## Complete spindles



TeraSpin offers a comprehensive range of complete spindles for all makes and models of ring frames and doubling frames.

Based on the application, TeraSpin spindles are equipped with suitable spindle bearing units (inserts). The spindles are manufactured with the highest level of precision to ensure steady and vibration free operation as well as a long service life.

### Features:

- ✓ High speed spindles
- ✓ Minimum vibration at highest speed
- ✓ Minimum spindle oscillation
- ✓ Minimum power consumption and noise level

### Types:

- ✓ Spindles of aluminum plug type
- ✓ Spindles with and without yarn cutter
- ✓ Spindles suitable for 4-spindle tape drive and tangential belt drive
- ✓ Spindles with external locking and self-locking system

All spindles are being optimized considering

- ✓ The bobbins (tubes) to be used
- ✓ The type of spindle drive
- ✓ The minimum and maximum spindle speed
- ✓ The spindle brakes to be used

### Application/s

- Machine/s : Short staple spinning frame, doubling frame
- Process/s : Spinning, Doubling
- Raw material/s : Cotton, worsted, man-made fibers and their blends
- Load/s : Light and medium



**A.T.E. ENTERPRISES PRIVATE LIMITED**

(Business Unit: TeraSpin)

Survey no. 251, Sarkhej Bavla Highway (N.H. no. 8A)

Village: Sari, Taluka: Sanand, Ahmedabad - 382 220, India