
PRODUCT GUIDE

Chapter 2 *TeraSpin top rollers*



1st edition 2015

Research and Development is a continuous process. Hence, some of the information provided in this PRODUCT GUIDE may have become obsolete with TeraSpin's new developments in technology.

TeraSpin is a business unit of A.T.E. Enterprises Private Limited, a company engaged in the service of the textile industry since 1939. TeraSpin came into existence in 2012 after A.T.E.'s takeover of SKF India's textile spinning component business. Since then it has been innovating and making continual improvements in quality and reliability in the service of spinning mills and machinery manufacturers around the world.

TeraSpin's product range consists of weighting arms, top rollers & cradles for roving frame and ring frame, spindle bearing units and complete spindles for ring frames and doubling frames. TeraSpin also offers customized upgrades for existing ring spinning and roving frames.

Website: www.teraspin.com
Email: sales@teraspin.com

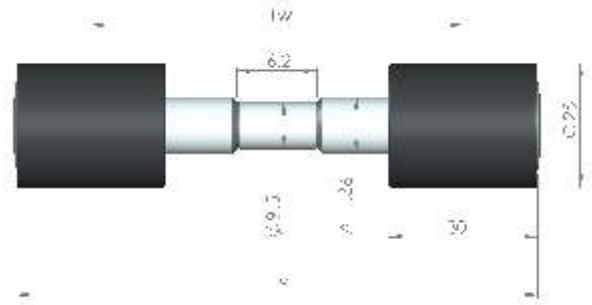
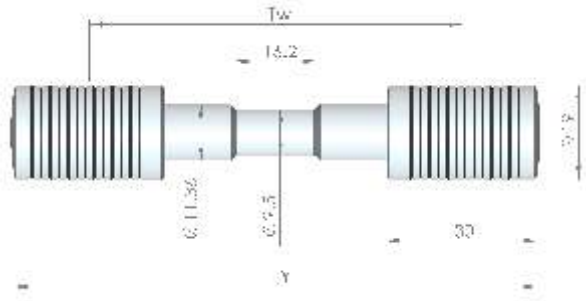
Published by

A.T.E. ENTERPRISES PRIVATE LIMITED

Chapter 2
TeraSpin top rollers



LP series of top rollers for ring frames



Type – Ref. No.	Gauge Tw (mm)	Total length Y (mm)	Colour of end cover
LP 302-000684	68.4	98.4	Blue
LP 302-000075	75	105	Blue
LP 302-000825	82.5	112.5	Blue

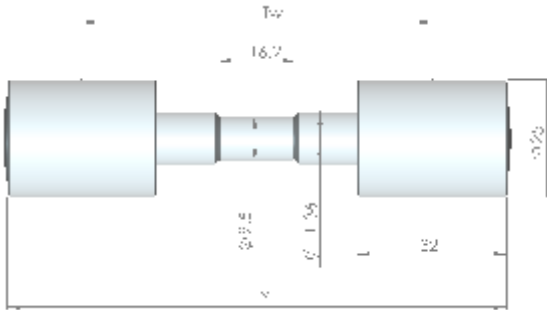
Application/s

Position/s : Front and rear top roller
 Machine/s : Short staple ring frame
 Process/s : Spinning
 Weighting arm/s : TeraSpin PK 2025, PK 2035 and SKF PK 225 and PK 235
 Raw material/s : Cotton, man-made fibres and their blends

Type – Ref. No.	Gauge Tw (mm)	Total length Y (mm)	Colour of end cover
LP S 3681	68.4	98.4	Blue
LP S 3751	75	105	Blue
LP S 3821	82.5	112.5	Blue

Application/s

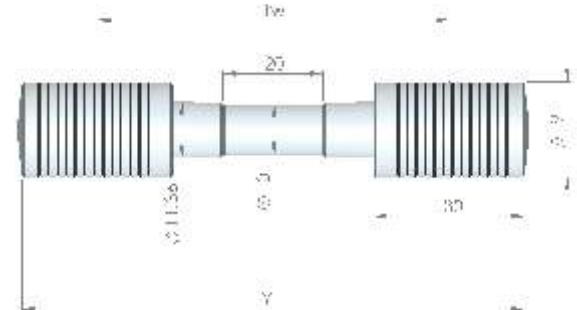
Position/s : Apron top roller (with special sleeve)
 Machine/s : Short staple ring frame
 Process/s : Spinning
 Weighting arm/s : TeraSpin PK 2025, PK 2035 and SKF PK 225 and PK 235
 Raw material/s : Cotton, man-made fibres and their blends



Type – Ref. No.	Gauge Tw (mm)	Total length Y (mm)	Colour of end cover
LP 303-000684	68.4	100.4	Blue
LP 303-000075	75	107	Blue
LP 303-000825	82.5	114.5	Blue

Application/s

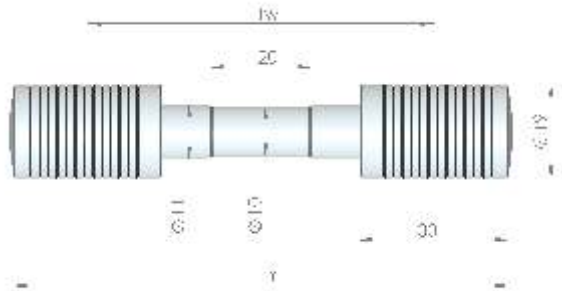
Position/s : Apron top roller (with steel sleeve)
 Machine/s : Short staple ring frame
 Process/s : Spinning
 Weighting arm/s : TeraSpin PK 2025, PK 2035 and SKF PK 225 and PK 235
 Raw material/s : Cotton, man-made fibres and their blends



Type – Ref. No.	Gauge Tw (mm)	Total length Y (mm)	Colour of end cover
LP 302-000070 RLM	70	100	Orange

Application/s

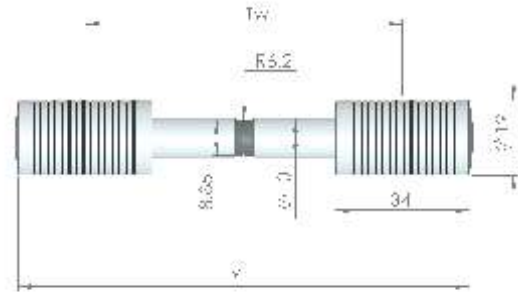
Position/s : Front and rear top roller as well as apron top roller (with cot)
 Machine/s : Short staple ring frame
 Process/s : Spinning
 Weighting arm/s : Rieter make pneumatic top arms
 Raw material/s : Cotton, man-made fibres and their blends



Type – Ref. No.	Gauge Tw (mm)	Total length Y (mm)	Colour of end cover
LP 302-000070	70	100	Orange

Application/s

- Position/s : Front and rear top roller as well as apron top roller (with cot)
- Machine/s : Short staple ring frame
- Process/s : Spinning
- Weighting arm/s : Rieter and LMW make pneumatic top arms
- Raw material/s : Cotton, man-made fibres and their blends

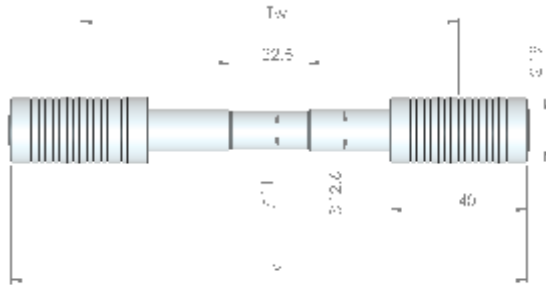


Type – Ref. No.	Gauge Tw (mm)	Total length Y (mm)	Colour of end cover
LP 302-000070 G	70	104	Orange
LP 302-000080 G	80	114	Orange
LP 302-000090 G	90	124	Orange

Application/s

- Position/s : Front and rear top roller as well as apron top roller (with cot)
- Machine/s : Short staple ring frame
- Process/s : Spinning
- Weighting arm/s : Rieter and LMW make pneumatic top arms
- Raw material/s : Cotton, man-made fibres and their blends

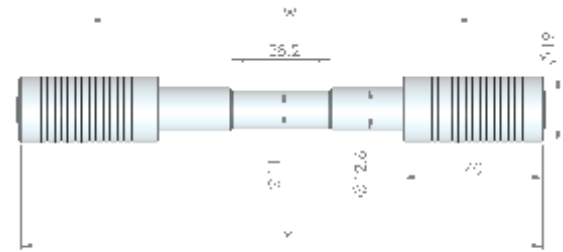
LP series of top rollers for roving frames



Type – Ref. No.	Gauge Tw (mm)	Total length Y (mm)	Colour of end cover
LP 315-000110	110	150	Blue

Application/s

- Position/s : Any position other than apron top roller
- Machine/s : Roving frame
- Process/s : Spinning
- Weighting arm/s : TeraSpin PK 1500 series and PK 1600-40
- Raw material/s : Cotton, man-made fibres and their blends

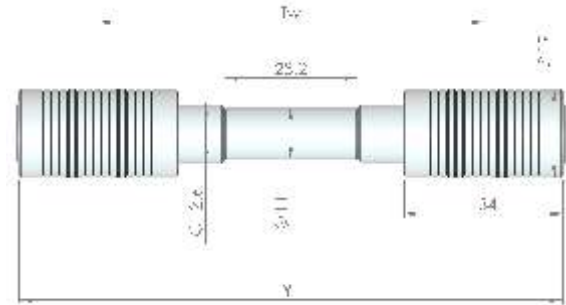
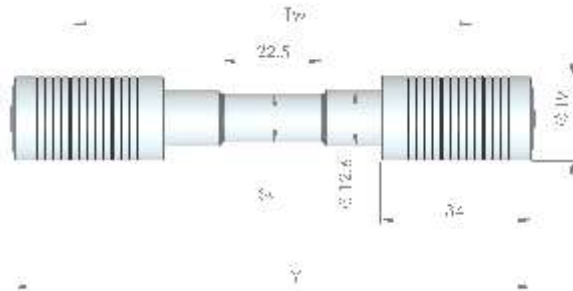


Type – Ref. No.	Gauge Tw (mm)	Total length Y (mm)	Colour of end cover
LP 317-000110	110	150	Blue

Application/s

- Position/s : Apron top roller
- Machine/s : Roving frame
- Process/s : Spinning
- Weighting arm/s : TeraSpin PK 1500 series and PK 1600-40
- Raw material/s : Cotton, man-made fibres and their blends

LP series of top rollers for worsted ring frames



Type – Ref. No.	Gauge Tw (mm)	Total length Y (mm)	Colour of end cover
LP 314-000075	75	109	Orange
LP 314-000825	82.5	116.5	Orange

Type – Ref. No.	Gauge Tw (mm)	Total length Y (mm)	Colour of end cover
LP 316-000075	75	109	Orange
LP 316-000825	82.5	116.5	Orange

Application/s

- Position/s : Front and rear top roller
- Machine/s : Worsted ring frame
- Process/s : Spinning
- Weighting arm/s : TeraSpin PK 1601-01
- Raw material/s : Wool and its blends with man-made fibres

Application/s

- Position/s : Middle (apron) top roller
- Machine/s : Worsted ring frame
- Process/s : Spinning
- Weighting arm/s : TeraSpin PK 1601-01
- Raw material/s : Wool and its blends with man-made fibres



A.T.E. ENTERPRISES PRIVATE LIMITED

(Business Unit: TeraSpin)

Survey no. 251, Sarkhej Bavla Highway (N.H. no. 8A)

Village: Sari, Taluka: Sanand, Ahmedabad - 382 220, India